

Category

**Loudspeakers**

Code

**TR30-HF**

Range

**Horn speakers**

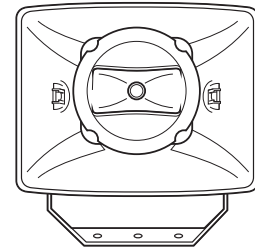
Description

**30W HI-FI Horn speaker (IP66)**

TR30-HF horns are two-way speaker units featuring high efficiency, a broad response range and a good hold in terms of power. The type of construction and the materials used enable it to be used in applications for outdoor use even in very extreme conditions, thanks to its **IP66** class of protection.

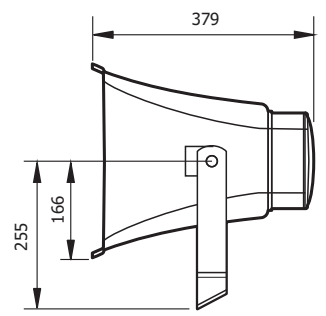
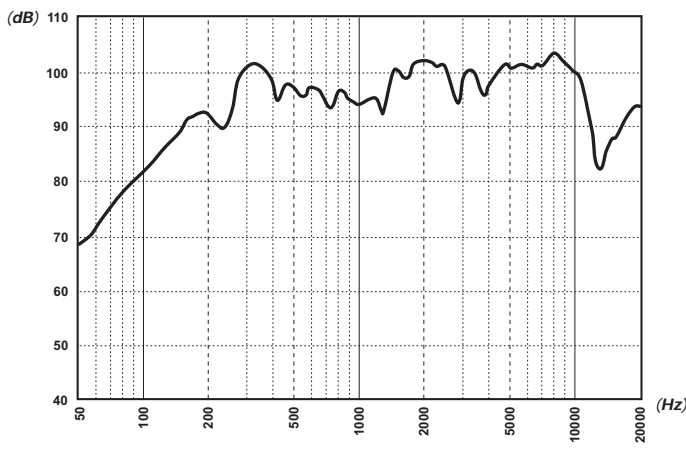
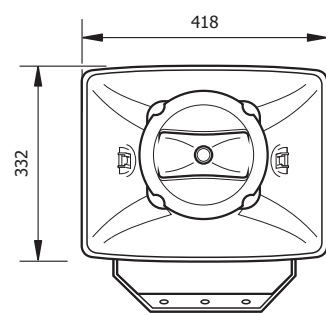
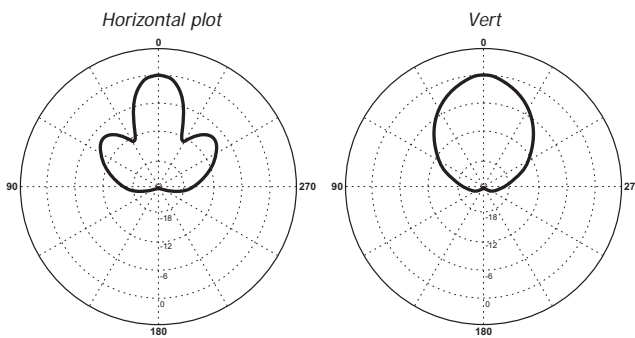
The body of the speaker unit is made of reinforced polypropylene. The high range is reproduced by a constant-directivity horn fed by a compression unit, while the medium and low range is reproduced by a reflex horn fed by a loudspeaker (mid-woofer) with a cone made of synthetic material.

The peculiar shape of these speakers determines almost constant and controlled coverage of the sound spectrum, reproduced with particularly high efficiency. Thanks to the built-in repeating coil, these speakers can be connected to 100V constant-voltage sound distribution lines.



Technical data

Rated power	30 W
Adjustable power	30 - 15 - 7,5 - 3,75 W
Impedance	333 - 667 - 1333 - 2667 $\Omega$
Frequency response	150 ÷ 13.000 Hz
Rated sensitivity	98 dB (1W/1m)
Rated acoustic pressure	113 dB (Pnom/1m)
2 kHz Horizontal dispersion angle	35°
2 kHz Vertical dispersion angle	65°
Low-Mid frequency unit	cone type
High frequency unit	compression type
Dimensions	418 x 332 x 379 mm
Weight	5,7 kg



SOUND SYSTEM SPECIALIST