

Category

Loudspeakers

Code

TR3-B

Range

Horns with separate unit

Description

Exponential Horn Speaker Unit

Exponential horn speaker unit, made of grey (RAL 7000) UV stabilized polypropylene. It has a rectangular horn and a swivelling bracket for mounting it on a wall. It is possible to mount any one of the following units: UT35, UT35-T, UT60 or UT60-T. The specific characteristics of the speaker units and dynamic units are indicated in the following tables.



Speaker technical data*

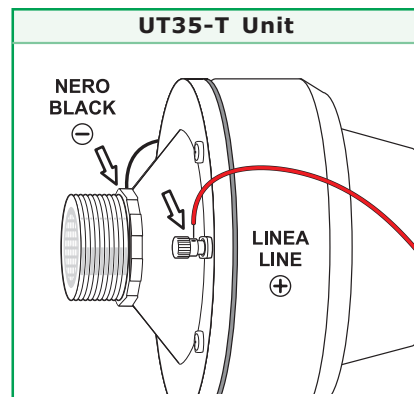
Frequency response	350 ÷ 5.000 Hz
Efficiency (1W/1m)	110 dB
Acoustic pressure (Pnom/1m)	125 dB
Horizontal dispersion angle (2 kHz)	55°
Vertical dispersion angle (2 kHz)	40°
Weight	2,1 kg

* reference measurements carried out with a UT35-T unit.

Unit technical data*

	UT35	UT35-T	UT60	UT60-T
Rated output power	35 W	35 W	60 W	60 W
Adjustable power	-	35 - 20 - 10 W	-	60 - 40 - 20 W
Impedance	16 Ω	-	16 Ω	-
Line voltage	100 V	100 V	100 V	100 V
Weight	1,3 kg	1,75 kg	1,55 kg	2,1 kg

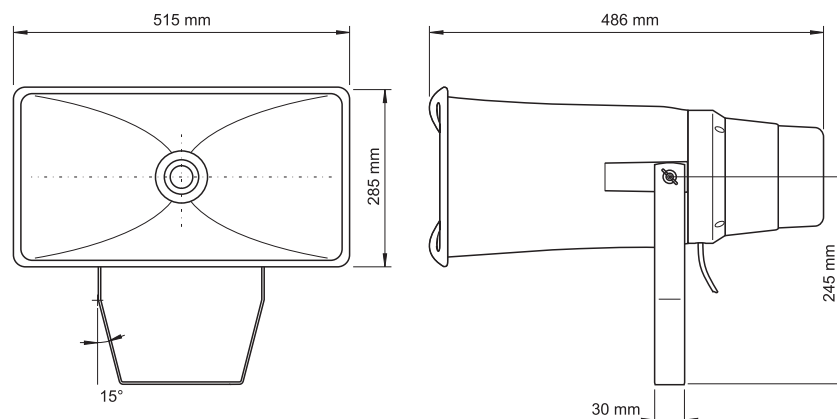
Connections



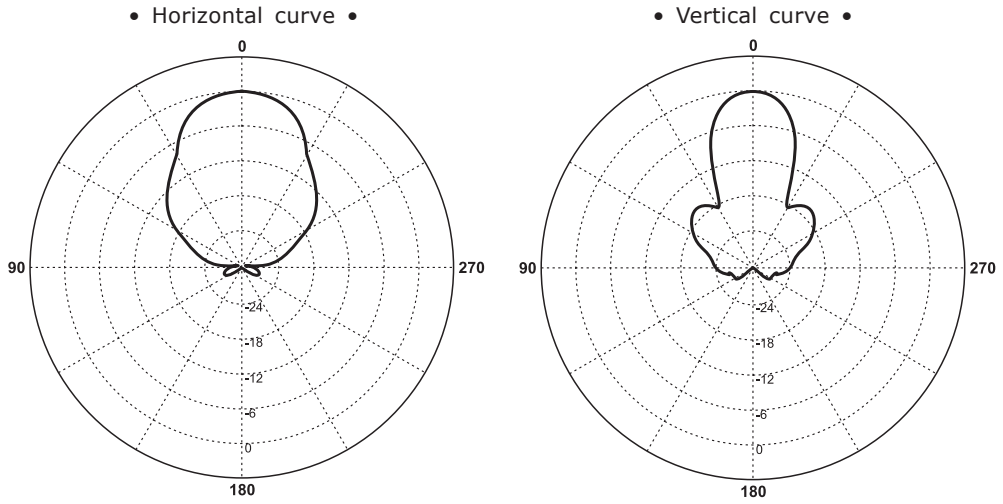
UT35-T Unit			
LINE=100V	35 W	20 W	10 W
FILI	Arancio	Rosso	Marrone
WIRES	Orange	Red	Brown
Comune - Common = Nero - Black			

UT60-T Unit			
LINE=100V	60 W	40 W	20 W
FILI	Arancio	Rosso	Marrone
WIRES	Orange	Red	Brown
Comune - Common = Nero - Black			

Layout dimensions



Polar diagrams (2kHz)



Frequency response

