

Category

Loudspeaker

Code

TR30-TW

Range

Horns with built-in unit

Description

30 W Horn Loudspeaker

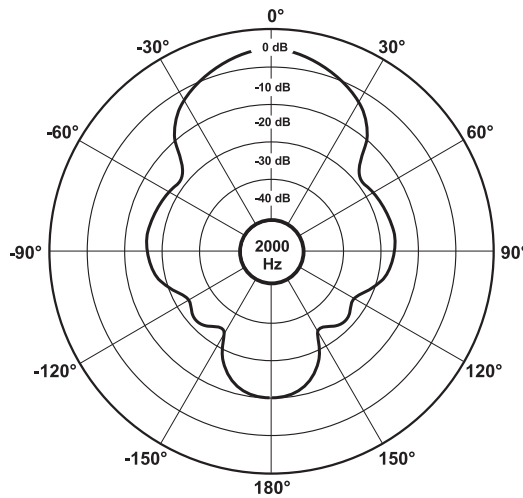
Horn loudspeaker made according to construction criteria and with materials suitable for use in difficult environments and with excellent safety characteristics. Aluminium horn. The whole assembly is watertight, with class of mechanical protection IP66. The electrical specifications are designed for maximum reliability. The input transformer for connection to constant-voltage lines is fitted with sockets for adjusting the output power delivered. A 5-position control is provided for selecting the required power. The speaker unit comes complete with a lead for correct connection to earth.



Technical data

Rated output power	30 W
Adjustable output power	30 - 20 - 15 - 10 - 5 W
Line voltage	70 - 100 V
Frequency response	350 ÷ 6.000 Hz
Efficiency (1W/1m)	107 dB
Acoustic pressure (Pnom/1m)	122 dB
Dispersion angle (2 kHz)	70°
Weight	1,75 kg

Polar diagram (2 kHz)



Layout dimensions

