

Category

Loudspeakers

Code

C34-TB

Range

Wall-mounting Loudspeakers

Description

6 W Loudspeaker

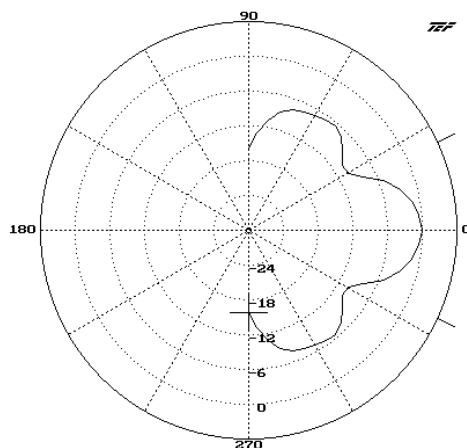
Box-type speaker unit for indoor use, for mounting against a wall, ideal both for background music and for speech. It is made of white UV-stabilised shockproof plastic material and has a metal grille on the front.



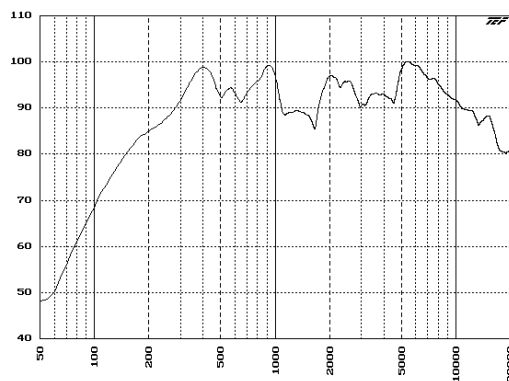
Technical data

Rated output power	6 W
Adjustable output power	6 - 3 - 1,5 W
Line voltage	50 - 70 - 100 V
Frequency response	180 ÷ 16.000 Hz
Efficiency (1W/1m)	93 dB
Acoustic pressure (Pnom/1m)	100 dB
Dispersion angle (2 kHz)	110°
Weight	1,1 kg

Polar diagram (2kHz)



Frequency response



Layout dimensions

