

Category

**Loudspeakers**

Code

**C52/6-T**

Range

**Ceiling-mounting Loudspeakers**

Description

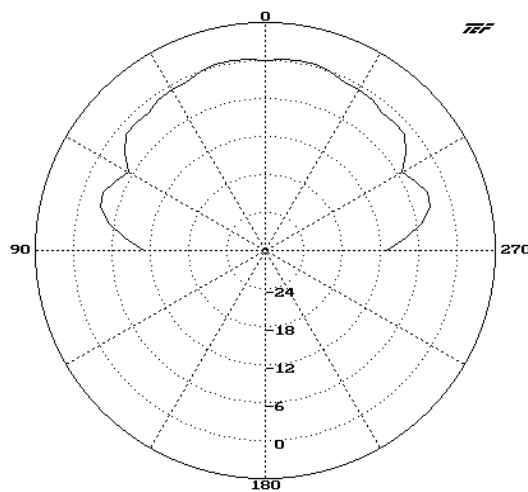
**6 W Ceiling Loudspeaker**

Circular ceiling loudspeaker for false ceilings made of white moulded sheet metal. Special spring-type hooks enable it to be secured rapidly and safely to the false ceiling. Connection to constant-voltage lines through a line transformer.

Technical data

Rated output power	6 W
Adjustable output power	6 - 3 - 1,5 W
Line voltage	50 - 70 - 100 V
Frequency response	80 ÷ 15.000 Hz
Efficiency (1W/1m)	92 dB
Acoustic pressure (Pnom/1m)	99 dB
Dispersion angle (2 kHz)	160°
Diameter of installation hole	165 ÷ 170 mm
Dimensions (Ø x H)	200 x 62 mm
Weight	0,64 kg

Polar diagram (2kHz)



Frequency response

