

BExL25 Explosion Proof PA Loudspeakers 25W

The flameproof BExL25 PA loudspeakers are suitable for Zone 1, 2, 21 & 22 applications. Approved to IECEx, ATEX, Ex EAC and INMETRO standards.

119dB sound level output - 25W rated.

The BEx range features enclosures manufactured from corrosion proof, marine grade copper free LM6 aluminium with chromate and powder coat finish.

An independent test report is available on request, or online, detailing the leading performance of the BEx loudspeaker range.

Features

- Marine grade, corrosion proof, LM6 aluminium enclosure.
- Ingress protection IP66/67
- Stainless steel fixings
- Dual M20 cable entries - adaptors available.
- Stopping plug included.
- Very large termination area.
- Ratchet adjustable stainless steel 'U' bracket.
- 100V and 70V line versions.
- 8 Ohm and 16 Ohm low impedance versions.
- Multiple tapings from 25W to 2W.
- Wide frequency response and angle of dispersion.

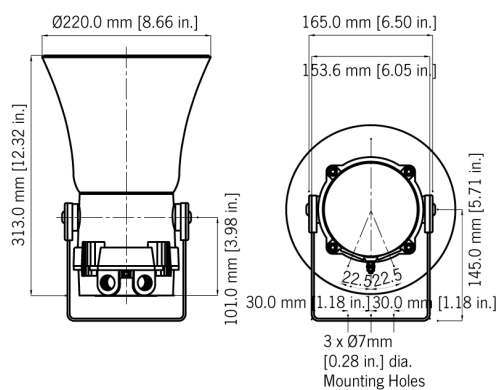
Approvals

- IECEx KEM 10.0003X
IEC 60079-0 : 2011
IEC 60079-1 : 2007-4
IEC 60079-31 : 2013
- ATEX KEMA 99ATEX6312X
EN 60079-0 : 2012 + A11
EN 60079-1 : 2007
EN 60079-31 : 2014
- TR-CU Ex EAC certificate: RU C-GB.AA71.B.00109
- Safety-integrity suitability: SIL1
- Inmetro certificate: 10IEEx-0009

Coding

- II 2G Ex d IIB T4 Ta -50° to +70°C
- II 2G Ex d IIC T4 Ta -50° to +55°C
- II 2D Ex tb IIIC T100°C Db Ta -50°C to +55°C
- II 2D Ex tb IIIC T115°C Db Ta -50°C to +70°C





Specification

SPL:	105dB +/-3dB @ 1w @ 1m (Pink) 119dB +/-3dB @ 25w @ 1m (Rated)
Rated power:	25 Watts RMS
70v line tapings:	25w / 12.5w / 6w / 2w tapings (z=196 Ohms /392 Ohms / 816.67 Ohms / 2.45k Ohms)
100v line tapings:	25w / 12.5w / 6w / 2w tapings (z=400 Ohms /800 Ohms / 1.67k Ohms / 5k Ohms)
Low impedance:	8 Ohm or 16 Ohm
Dispersion:	130° @ 1kHz & 32° @ 4kHz
Frequency range:	300Hz to 8000 Hz
DC Line monitoring:	2.2µF Capacitor (Transformer) 470µF Capacitor (Impedance)
Ingress protection:	IP66/67
Enclosure matl:	Marine grade copper free LM6 Aluminium
Enclosure finish:	Chromate & powder coated finish - anti-corrosion.
Colour:	RAL3000 Red Grey RAL7038 Special - available on request
BExL25 flare:	High impact UL94 V0 & 5VA FR ABS
Cable entries:	Dual M20 ISO (one stopping plug inc)
Terminals:	0.5 - 2.5mm ² (20-14 AWG)
Relative humidity:	95% - Additional tropicalisation is recommended for applications where both high relative humidity and high ambient temperatures exist
Weight:	70/100v line: 3.95kg/8.69lbs Low imp.: 3.56kg/7.83lbs

Part Codes

Version:	Part code:	
Product type:	BExL25 Explosion proof PA Loudspeaker	
Type:	DF	Ex d, Flare reentrant horn
Input:	V100	100V Line Transformer
	V070	70V Line Transformer
	R016	16 Ohm Low Impedance
	R008	8 Ohm Low Impedance
Cable Entry Type:[e] A	2 x M20x1.5mm	
B	2 x 1/2" NPT - adaptors	
C	2 x 3/4" NPT - adaptors	
D	2 x M25x1.5mm - adaptors	
E	1 x 1/2" NPT - adaptor	
F	1 x 3/4" NPT - adaptor	
G	1 x M25x1.5mm - adaptor	
Note:	M20 stopping plugs for unused entries supplied	
Adaptor/Stopping plug material: [m] B	Brass	
N	Nickel Plated	
S	Stainless Steel	
Bracket material: [s] 1	A2 304 Stainless Steel	
2	A4 316 Stainless Steel	
3	A2 304 St/St with Equip. Tag	
4	A4 316 St/St with Equip. Tag (304)	
Product version: [v] A1	Default - IECEx, ATEX, Ex EAC & INMETRO	
Enclosure colour: [x] R	Red RAL3000	
G	Grey RAL7038	
S	Special - contact E2S	