

P.A. Speakers

Projector Speakers

CSR-105 / 205 / 206 / 306 SERIES

The sphere loudspeakers meet with every demand of interior decoration and most public address system. These splash weatherproof loudspeakers are designed to be suspended from ceiling via their 5m 6 core connecting cable that is easy to shorten for desired height. The cable clamp and ceiling cover are supplied and in matching color to the pendant sphere, so they can effectively bring the design of an interior space for completion. They are suited for installation in restaurants, bars, art galleries and coffee shops.

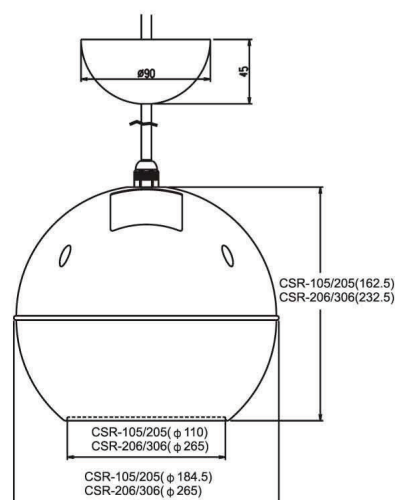
Their excellent sound expands also makes them ideal for building with high ceilings such as hypermarkets and superstores. We strongly recommend not to install them in windy environments.

The bracket is designed to be installed on wall by the 360° swivel metal bracket. The spherical loudspeakers meet many demands for supermarkets, shopping malls, pubs, restaurants, for public address speakers.

CSR-105 / 205 / 206 / 306



CSR-105/205
206/306



Unit: mm

CSR-105 (IP44) CSR-205 (IP44)
CSR-206 (IP44) CSR-306 (IP44)

MODEL	CSR-105	CSR-205	CSR-206	CSR-306
Input Power	RMS 10W / MAX 20W	RMS 20W / MAX 40W	RMS 20W / MAX 40W	RMS 30W / MAX 60W
Output Power	2.5, 5, 10W / 8 Ω	5, 10, 20W / 8 Ω	5, 10, 20W / 8 Ω	7.5, 15, 30W / 8 Ω
Speaker	5" wide band speaker	5" wide band speaker	6.5" wide band speaker	6.5" wide band speaker
Input Voltage	70V, 100V	70V, 100V	70V, 100V	70V, 100V
Input Impedance	100V-4K Ω / 2K Ω / 1K Ω 70V-2K Ω / 1K Ω / 490 Ω / 8 Ω	100V-2K Ω / 1K Ω / 500 Ω 70V-1K Ω / 500 Ω / 245 Ω / 8 Ω	100V-2K Ω / 1K Ω / 500 Ω 70V-1K Ω / 500 Ω / 245 Ω / 8 Ω	100V-1.33K Ω / 660 Ω / 330 Ω 70V-660 Ω / 330 Ω / 163 Ω / 8 Ω
Frequency Response	110~15KHz (-10dB)	110~13KHz (-10dB)	120~20KHz (-10dB)	120~20KHz (-10dB)
S.P.L	92dB (1W/M)	92dB (1W/M)	94dB (1W/M)	94dB (1W/M)
Material	ABS resin	ABS resin	ABS resin	ABS resin
Weight (Approx.)	1.7kg (3.75 lb)	1.8kg (3.97 lb)	2.45kg (5.40 lb)	2.2kg (4.85 lb)